



**PERSONAL PROTECTION EQUIPMENT
FROM ESAB
PRODUCT CATALOGUE**

SAVAGE
A-40

2021 EDITION



As fabricators and fabricators' friends, we do some pretty epic work. And none of it would be possible without each and every one of us – the welders,

SKYSCRAPERS. the distributors,
MUSCLE CARS. the engineers,
WIND TURBINES. the tools of
OIL RIGS. the trade.

Across the welding and fabrication world, the skills we have and the everyday work we do varies greatly, but our commitment to that work and to how fabrication moves the world forward is a constant that keeps us all reaching for more.

Together, **we shape the future** of welding and cutting.





KEEP UP WITH OUR NEWEST SOLUTIONS

We highlight all of our new and recent product launches in our **Launch Magazine**.

Learn about ESAB solutions engineered to deliver multi-voltage flexibility, superior multi-process arc control, lower consumables cost, user-friendly operation and more.

Visit esab.com/launchmagazine to subscribe today.



Visit our website for more information on:

- WELDING AUTOMATION
- CUTTING AUTOMATION
- MIG TORCH CONSUMABLES
- FILLER METALS
- MANUAL PLASMA
- PPE

FIND A DISTRIBUTOR

Looking for a product or ready to purchase?

Visit esab.com to find an ESAB distributor in your area.

STAY CONNECTED



esab.com



facebook.com/esabglobal



[@esabweldingcutting](https://instagram.com/esabweldingcutting)



twitter.com/esabglobal



linkedin.com/company/esab



youtube.com/esabweb

// PPE & ACCESSORIES







MISSION READY. FOR THE ACCOMPLISHED.

The best welders deserve the best equipment. And when it comes to choosing a helmet, Sentinel is it – with ergonomic HALO™ headgear, external grind mode access, a hypervisible control panel, and an ultra-clear true-color lens. To learn more about the incredible Sentinel helmet and find a distributor near you, go to esab.com/sentinel.

SENTINEL

CONTENTS

WELDING HELMETS

ADF Helmets

| | |
|-------------------------|----|
| Sentinel™ A50 | 7 |
| Sentinel™ A50 Air | 7 |
| Savage A40 | 9 |
| Savage A40 Air | 9 |
| A30 | 11 |
| A20 | 11 |
| A10 | 11 |
| G50 | 12 |
| G50 Air | 12 |
| G40 | 12 |
| G40 Air | 12 |
| PAPR Systems | 15 |

Passive Helmets

| | |
|---------------|----|
| G30 | 12 |
| G30 Ar | 12 |
| F20 | 14 |
| F20 Air | 14 |
| F10 | 14 |

GLOVES

| | |
|-------------------------------------|----|
| Curved MIG (GMAW) Gloves | 19 |
| Heavy-Duty Basic MIG Gloves | 19 |
| Heavy-Duty Regular MIG Gloves | 19 |
| Heavy-Duty Black MIG Gloves | 20 |
| Heavy-Duty EXL MIG Gloves | 20 |
| Curved TIG (GTAW) Gloves | 21 |
| Professional TIG Gloves | 21 |
| Supersoft TIG Gloves | 22 |
| Soft TIG Gloves | 22 |
| Basic TIG Gloves | 22 |
| Heavy-Duty Aluminium Gloves | 23 |
| Alumised Hand Shield | 23 |
| Heavy-Duty Worker Gloves | 23 |

PROTECTIVE CLOTHING

Leather Workwear

| | |
|------------------------------------|----|
| Proban Welding Jacket | 24 |
| Proban Welding Trousers | 24 |
| Leather Head/Chest Protector | 24 |
| Leather Welding Jacket | 25 |
| Leather Welding Apron | 25 |
| Leather Gaiters | 26 |
| Leather Welders Sleeve | 26 |

FR Workwear

| | |
|---------------------------|----|
| FR Welding Jacket | 27 |
| FR Welding Trousers | 27 |
| FR Coveralls | 27 |
| FR Jersey | 28 |
| FR Fleece | 28 |
| FR Jumper | 28 |
| Proban Hood | 29 |
| Balaclava | 29 |
| Helmet Liner | 29 |
| Welders Cap | 29 |
| Bandana | 29 |

EYE PROTECTION

| | |
|---------------------------|----|
| Warrior™ Spectacles | 30 |
| Eco Spectacles | 30 |
| Visitor Spectacles | 31 |
| Ski Goggles | 31 |
| Chemical Goggles | 31 |
| Grinding Visor | 31 |
| Flip-Front Goggles | 31 |

Sentinel™ A50

Revolutionary high performance automatic welding helmet



WELDING HELMETS



- Revolutionary shell design - high impact resistance nylon
- Halo™ headgear - ergonomic, infinitely-adjustable 5 point head gear provides extreme comfort and balance. Low-profile design, central pivot point allows for maximum head clearance while helmet is in the up position
- 100 x 60 mm viewing area 1/1/1/2 –5-13 ADF
- Color touch screen control panel with 8 separate memory settings and externally activated shade 4 Grind Mode button
- Hard hat adapter option available for use with ESAB hard hat
- Respiratory option with ESAB PAPR

| Specifications | | | | |
|-------------------------------|---|--|---------|----------------------|
| Cartridge Dimensions | Viewing Area | Lens Shade | Sensors | Classification |
| 133 x 114 x 9 mm | 100 x 60 mm | DIN 5-8/9-13 | 4 | 1/1/1/2 |
| Switch Time | Power Supply | Standards | | Weight |
| 1/25,000 s from light to dark | Solar cell plus battery replaceable. (2 x CR2450 lithium). Alerts when low battery. | DIN Plus, CE, EN 175, EN 379, EN 166, ANSI Z87.1, CSA Z94.3, AS/NZS 1338.1 | | 640 g 830 g (Air) |

| Ordering Information | |
|--------------------------------|------------|
| Sentinel A50 | 0700000800 |
| Sentinel A50 for Air | 0700000801 |
| Sentinel A50 for Air Kit | 0700000799 |
| PAPR with Standard Hose 850 mm | 0700002300 |
| PAPR with Long Hose 1000 mm | 0700002301 |

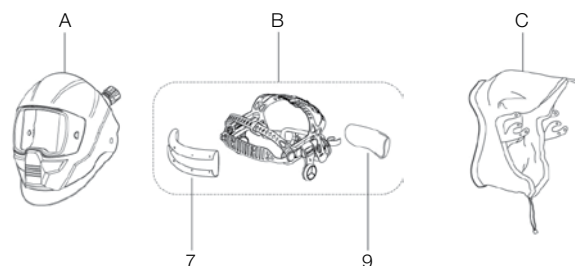
Air versions include air duct and face seal. Kit version also include Kit bag, PAPR 850 mm, internal/external lenses and filters. For additional information on the PAPR unit please see separate page.

| Options & Accessories | | |
|-----------------------|---------------------------------------|------------|
| 1 | Front Cover Lens Clear HD | 0700000823 |
| 1 | Front Cover Lens Amber HD | 0700000824 |
| 1 | Front Cover Lens Clear | 0700000802 |
| 1 | Front Cover Lens Amber | 0700000803 |
| 2 | Sentinel Helmet Shell | 0700000804 |
| 3 | Auto-Darkening Filter (excl. battery) | 0700000806 |
| 5 | Inside Cover Lens | 0700000808 |
| 6 | Headgear Assembly (incl. sweat bands) | 0700000809 |
| 7 | Front Sweat Band | 0700000810 |
| 8 | Headgear | 0700000811 |
| 9 | Rear Sweat Band | 0700000812 |
| 10 | Magnifying Lens +1.0 Diopter | 0367951001 |
| 10 | Magnifying Lens +1.5 Diopter | 0367951002 |
| 10 | Magnifying Lens +2.0 Diopter | 0367951003 |
| 10 | Magnifying Lens +2.5 Diopter | 0367951004 |
| x | Sentinel Bandana | 0700000821 |
| x | Sentinel Protective Hood | 0700000828 |

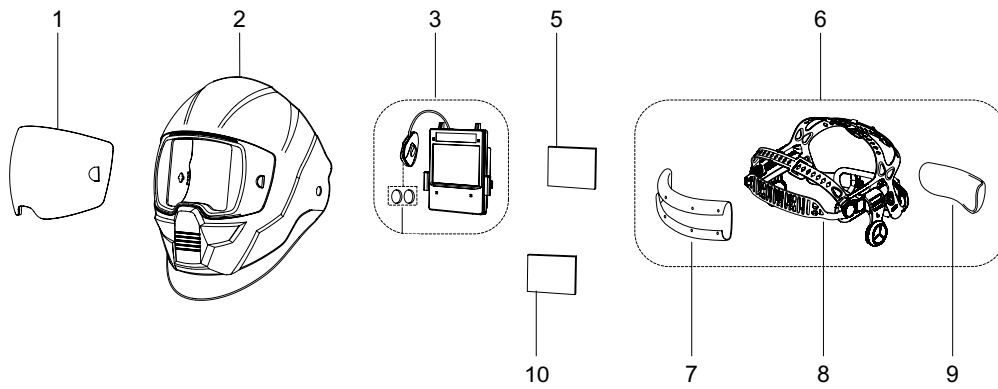


Sentinel A50 for Air

| Options & Accessories (Sentinel A50 Air Only) | | |
|---|--|------------|
| A | Sentinel A50 Air shell w. air duct | 0700000813 |
| B | Headgear Assembly, Air (incl. sweat bands) | 0700000805 |
| C | Face Seal, Air | 0700000814 |
| x | Kit Bag (empty) | 0700002315 |



Sentinel™ A50



WELDING
HELMETS

Additional Accessories



HD Front Cover Lenses



Magnifying Diopter Lens



Protective Hood



Kit Bag (empty)

Savage A40

Professional automatic welding helmet



WELDING HELMETS



- External shade adjustment between DIN 9 and DIN 13 and an optical class of 1/1/1/2. Delay and sensitivity can be adjusted from the inside
- Four arc sensors for higher auto darkening response
- Wider coverage and a larger viewing area of 100 x 50 mm that offers a wide field of vision and increased spatial awareness
- Sensitivity control is an adaptable feature useful when welding low amp TIG for better reaction to darker arc light
- Delay control enabling the welder to set how long the lens stays dark after the welding arc stops. Short delay helps get the job done faster during tack welding, whilst longer delay is useful for high amperage welding
- Externally activated Grind button. Shade 4 Grind Mode
- True Color allowing for a brighter view and enhanced colour definition
- Respiratory option with ESAB PAPR

| Specifications | | | | |
|---|--|---|---------|----------------------|
| Cartridge Dimensions | Viewing Area | Lens Shade | Sensors | Classification |
| 110 x 90 x 7.8 mm | 100 x 50 mm | DIN 4, 9-13 | 4 | 1/1/1/2 |
| Switch Time | Power Supply | Standards | | Weight |
| 0.1-0.9 s from dark to light 0.07 ms at 23°C | Solar cell plus battery replaceable. (1 x CR2450 lithium). Alerts when low battery. | CE EN379, EN175, EN12941, ANSI Z87.1 , CSA Z94.3, & AS/NZS 1338.1 | | 500 g 700 g (Air) |

| Ordering Information | |
|--------------------------------|------------|
| Savage A40, Black | 0700000490 |
| Savage A40, Yellow | 0700000491 |
| Savage A40 for Air, Black | 0700500400 |
| PAPR with Standard Hose 850 mm | 0700002300 |
| PAPR with Long Hose 1000 mm | 0700002301 |

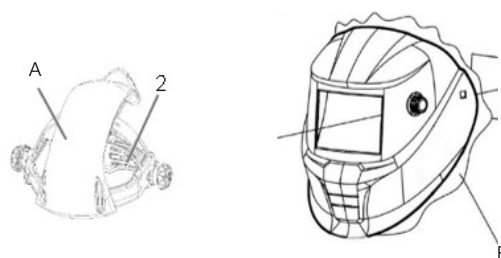
Air versions include air duct and face seal. For additional information on the PAPR unit please see separate page.



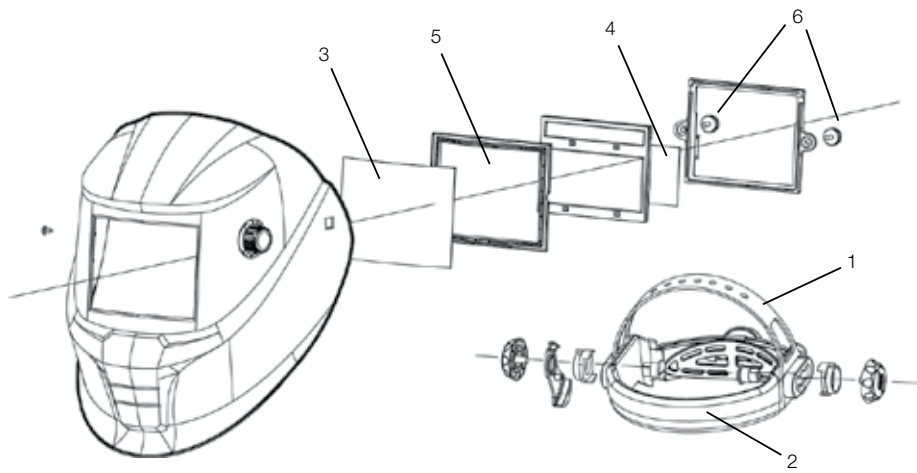
Savage A40 for Air

| Options & Accessories | | |
|-----------------------|------------------------------|------------|
| 1 | Head Gear | 0700000483 |
| 2 | Sweat Band | 0700000414 |
| 3 | Front Cover Lens | 0700000010 |
| 4 | Inside Cover Lens | 0700000482 |
| 5 | ADF Cradle | 0700000418 |
| 6 | Lens Retainer with Screw | 0700000419 |
| | Magnifying Lens +1.0 Diopter | 0700000084 |
| | Magnifying Lens +1.5 Diopter | 0700000085 |
| | Magnifying Lens +2.0 Diopter | 0700000086 |
| | Magnifying Lens +2.5 Diopter | 0700000087 |
| | Leather Chest Protection | 0700000062 |
| | Leather Head/Neck Protection | 0700000063 |
| | Proban Hood | 0000593269 |

| Options & Accessories (Savage A40 Air Only) | | |
|---|------------------------|------------|
| A | Headgear Assembly, Air | 0700000805 |
| B | Face Seal, Air | 0700000814 |
| x | Kit Bag (empty) | 0700002315 |



Savage A40



A30/A20/A10

Lightweight automatic welding helmets

WELDING HELMETS

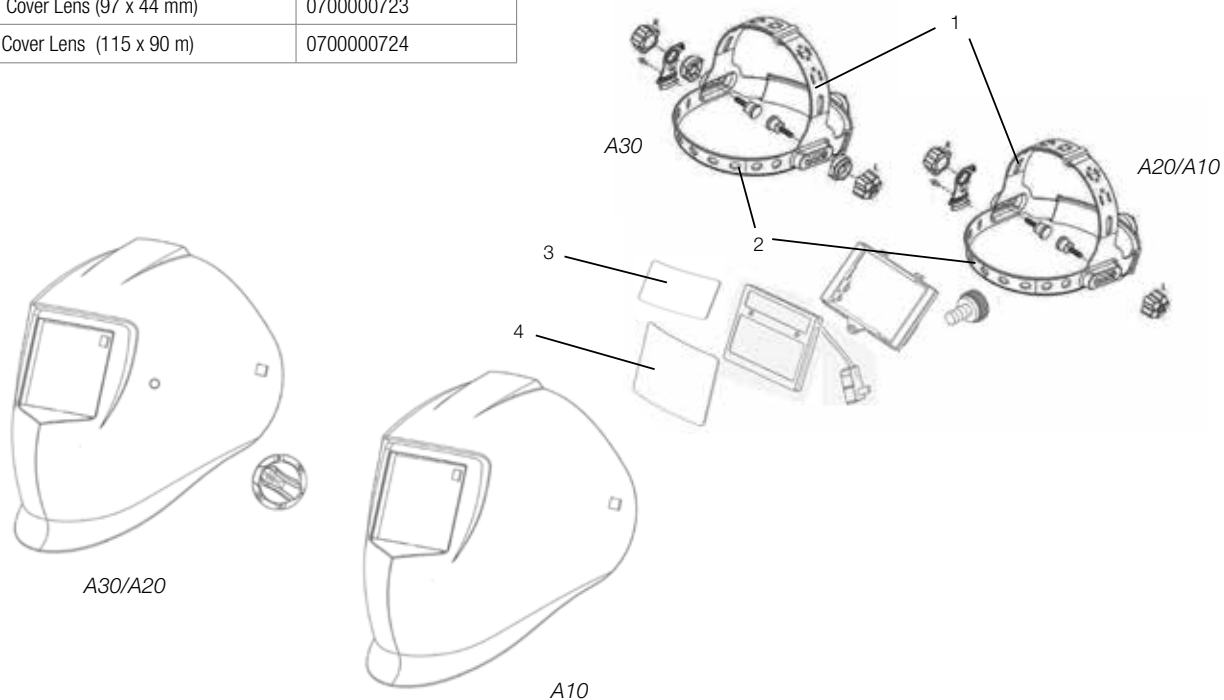


- Streamlined lightweight shell with lightweight comfort headgear
- Wide viewing area
- Sensitivity & delay setting
- 2 years warranty
- Dioptre lens options
- Grind mode (A30)

| Specifications | | | | | |
|----------------------|---|--|---------|---|----------------|
| Cartridge Dimensions | Viewing Area | Lens Shade | Sensors | Weight | Classification |
| 110 x 90 mm | 100 x 45 mm (A30) 96 x 39 mm (A20) 90 x 35 mm (A10) | DIN 4, 9-13 (A30) DIN 4, 9-13 (A20) DIN 11 (A10) | 2 | 480 g (A30) 470 g (A20) 382 g (A10) | 1/1/1/2 |

| Options & Accessories | | |
|-----------------------|--------------------------------|------------|
| 1 | Headgear A30 | 0700000731 |
| 1 | Headgear A20/A10 | 0700000721 |
| 2 | Sweat Band | 0700000722 |
| 3 | Inside Cover Lens A10 | 0700000711 |
| 3 | Inside Cover Lens (97 x 44 mm) | 0700000723 |
| 4 | Front Cover Lens (115 x 90 m) | 0700000724 |

| Ordering Information | |
|----------------------|------------|
| A30 | 0700000730 |
| A20 | 0700000720 |
| A10 | 0700000710 |



G50/G40/G30

Flip-front welding and grinding helmets



- Lightweight shell
- Automatic / fix shade options
- Large inner grinding visor (clear)
- Comfort headgear
- Respiratory option with ESAB PAPR

G30

- Changeable inner and outer lens
- Large inner grinding visor (multiple options)



G50 AIR



G30 AIR

| Specifications G50 | | |
|--|------------------------|-----------------------|
| Viewing Area | Lens Shade | Classification |
| 98 x 47 mm | 9-13 | 1/1/1/2 |
| Standards | Power Supply | Weight |
| CE, ANSI, CSA, ASNZS, EN12941 Class TH3 P R SL | Solar cell, no battery | 730 g 890 g (Air) |

| Specifications G30 | | |
|--|----------------------------|-------------------------|
| Viewing Area | Lens Shade Inner | Lens Shade Outer |
| 155 x 170 mm | Clear, DIN 2, DIN 3, DIN 5 | DIN 5, DIN 8, DIN 10 |
| Standards | | Weight |
| CE, ANSI, CSA, ASNZS, EN12941 Class TH3 P R SL | | 570 g 730 g (Air) |

| Specifications G40 | |
|--|----------------------|
| Viewing Area | Lens Shade |
| 60 x 110 mm / 90 x 110 mm | DIN 10 |
| Standards | Weight |
| CE, ANSI, CSA, ASNZS, EN12941 Class TH3 P R SL | 700 g 870 g (Air) |

| Ordering Information (Air versions) | |
|-------------------------------------|------------|
| G50 Air, 9-13 | 0700000441 |
| G40 Air, 60 x 110 | 0700000439 |
| G40 Air, 90 x 110 | 0700000440 |
| G30 Air, DIN 10 | 0700000433 |
| G30 Air, DIN 11 | 0700000434 |
| PAPR with Standard Hose 850 mm | 0700002300 |
| PAPR with Long Hose 1000 mm | 0700002301 |

| Ordering Information | |
|----------------------|------------|
| G50, 9-13 | 0700000438 |
| G40, 60 x 110 | 0700000436 |
| G40, 90 x 110 | 0700000437 |
| G30, DIN 10 | 0700000430 |
| G30, DIN 11 | 0700000431 |

Air versions include air duct and face seal. For additional information on the PAPR unit please see separate page.

G50/G40/G30

WELDING
HELMETS

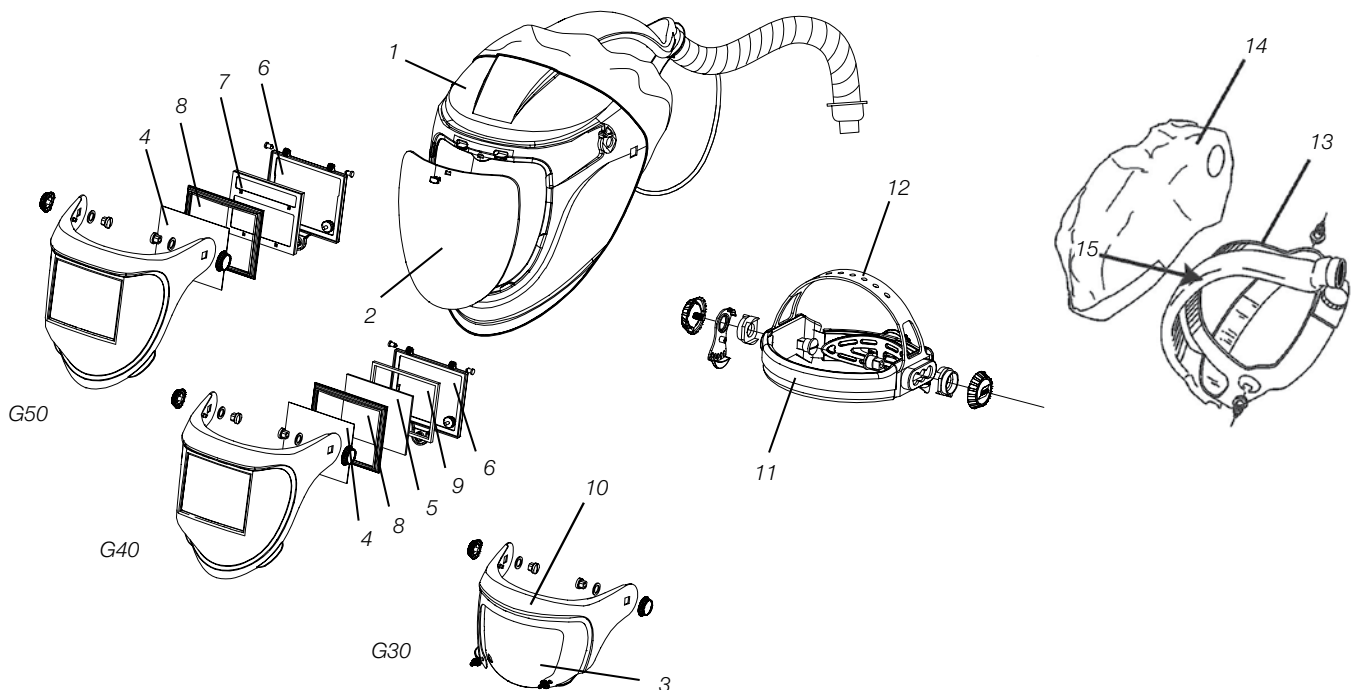
Options & Accessories

| | | |
|----|--|------------|
| 1 | Main Shell for G50/G40/G30 | 0700000515 |
| 2 | Large Inner Visor Clear for G50/G40/G30 | 0700000501 |
| 2 | Large Inner Visor DIN 2 for G30 | 0700000502 |
| 2 | Large Inner Visor DIN 3 for G30 | 0700000503 |
| 2 | Large Inner Visor DIN 5 for G30 | 0700000504 |
| 3 | Outer Flip Visor DIN 5 for G30 | 0700000505 |
| 3 | Outer Flip visor DIN 8 for G30 | 0700000506 |
| 3 | Outer Flip visor DIN 10 for G30 | 0700000507 |
| 4 | Front Cover Lens for G50/G40 | 0700000517 |
| 5 | Filter Lens 60 x 110 Shade 10 Pk 25 (for G40) | 0160292002 |
| 5 | Filter Lens 90 x 110 Shade 10 Pk 25 (for G40) | 0760031632 |
| 6 | Lens Retainer for G50/G40 | 0700000518 |
| 7 | ADF Cassette for G50 | 0700000523 |
| 8 | Cradle 90 x 110 for G50/G40 | 0700000519 |
| 8 | Cradle 60 x 110 for G40 | 0700000520 |
| 9 | Gasket for Mineral Glass 60 x 110 & 90 x 110 (for G40) | 0700000521 |
| 10 | Flip Up Frame Including Screws for G30 | 0700000508 |
| 11 | Sweat Band | 0700000414 |
| 12 | Headgear | 0700000415 |
| x | Kit Bag (empty) | 0367951003 |

Options & Accessories (Air versions only)

| | | |
|----|--|------------|
| 13 | Headgear for G50/G40/G30 and F20 | 0700000420 |
| 14 | Head and Face Seal for G50/G40/G30 and F20 | 0700000512 |
| 15 | Sweat Band Air for G50/G40/G30 and F20 | 0700000274 |

Air versions include air duct and face seal. For additional information on the PAPR unit please see separate page.



F20/F10

Flip-front welding helmets



- Multiple flip front options
- Lightweight shell with comfort headgear
- Changeable DIN lenses
- Inside viewing visor
- Respiratory option with ESAB PAPR (F20)

Specifications F20

| Viewing Area | Lens Shade |
|--|--|
| 60 x 110 mm / 90 x 110 mm | DIN 10 |
| Standards | Weight |
| CE, ANSI, CSA, ASNZS, EN12941 Class TH2 P R S | 560 g (60 x 110) 580 g (90 x 110) 720 g (60 x 110 Air) 740 g (90 x 110 Air) |

Specifications F10

| Viewing Area | Lens Shade |
|---|------------|
| 60 x 110 mm / 90 x 110 mm / 51 x 108 mm | DIN 10 |
| Standards | Weight |
| CE, ANSI, CSA, ASNZS | 484 g |

Ordering Information

| | |
|---------------------------------------|------------|
| F20, 60 x 110 | 0700000426 |
| F20, 90 x 110 | 0700000427 |
| F20 Air, 60 x 110 | 0700000428 |
| F20 Air, 90 x 110 | 0700000429 |
| F10 (Eco Arc II), 60 x 110, kit of 20 | 0700000760 |
| F10 (Eco Arc II) 60 x 110, 1 pcs | 0700000761 |
| F10 (Eco Arc II), 90 x 110, kit of 20 | 0700000762 |
| F10 (Eco Arc II) 51 x 108, kit of 20 | 0700000763 |
| PAPR with Standard Hose 850 mm | 0700002300 |
| PAPR with Long Hose 1000 mm | 0700002301 |

Air versions include air duct and face seal. For additional information on the PAPR unit please see separate page.

Kit helmets are delivered unassembled in boxes with 20 x helmet shells, head harnesses, flip-ups, welding lens DIN 10, protective glass in plastic and instruction manuals for each item.

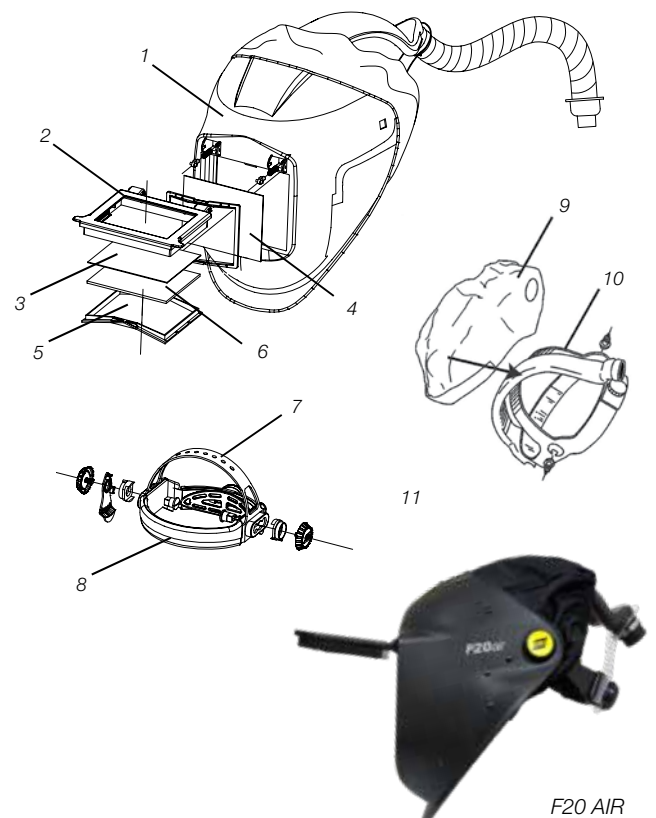
Individually packed helmets are delivered complete in plastic bags with cases.

Options & Accessories

| | | |
|---|--|------------|
| 1 | Main Shell for F20 | 0700000509 |
| 2 | Visor Flip 60 x 110 for F20 | 0700000510 |
| 2 | Visor Flip 90 x 110 for F20 | 0700000511 |
| 3 | Plastic Cover Lens 60 x 110 | 0160307001 |
| 3 | Plastic Cover Lens 90 x 110 | 0160307004 |
| 3 | Plastic Cover Lens 51 x 108 (for F10 only) | 0160307002 |
| 4 | Inside/Outside Cover Lens 60 x 110, 90 x 110 | 0700000252 |
| 5 | Lens Retaining Clip 60 x 110 | 0700000255 |
| 5 | Lens Retaining Clip 90 x 110 | 0700000256 |
| 5 | Lens Retaining Clip 51 x 108 (for F10 only) | 0700000257 |
| 6 | Filter Lens 60 x 110 Shade 10 Pk 25 | 0160292002 |
| 6 | Filter Lens 90 x 110 Shade 10 Pk 25 | 0760031632 |
| 7 | Headgear | 0700000415 |
| 8 | Sweat Band F20 | 0700000414 |
| 8 | Sweat Band F10 | 0700000244 |
| x | Leather Chest Protection | 0367951001 |
| x | Leather Head/Neck Protection | 0367951002 |
| x | Kit Bag (empty) | 0367951003 |

Options & Accessories (Air versions only)

| | | |
|----|--|------------|
| 9 | Headgear for G50/G40/G30 and F20 | 0700000420 |
| 10 | Head and Face Seal for G50/G40/G30 and F20 | 0700000512 |
| 11 | Sweat Band Air for G50/G40/G30 and F20 | 0700000274 |



F20 AIR

ESAB PAPR

Powered Air Purifying Respirator

WELDING
HELMETS



- User adjustable air flow 170/220 l/min
- Li-Ion battery pack (up to 6h duration @ 220 l/min)
- P3 filter and pre-filter
- International intelligent charger (interchangeable pins)
- Audio/visual blocked filter and low battery alarm

Specifications

| Air Flow | Battery Time | Filter |
|--|--------------------|--------------------------|
| 170 - 220 l/min | Up to 6 h | P3 filter and pre-filter |
| Standards | Dimensions | Weight |
| CE EN12941 | 185 x 100 x 160 mm | 1 kg |
| Protection Level | | |
| Tested in combination with the following ESAB helmets, EN12941: Sentinel A50 (TH2), Savage A40 (TH2), Warrior Tech (TH3), G50 (TH3), G40 (TH3), G30 (TH3) and F20 (TH2). | | |

Ordering Information

| | |
|--------------------------------|------------|
| PAPR with Standard Hose 850 mm | 0700002300 |
| PAPR with Long Hose 1000 mm | 0700002301 |

PAPR unit delivered with motor unit, battery, intelligent charger, P3 filter + pre filter, waist belt, hose and proban hose cover.

Options & Accessories

| | | |
|----|------------------------------|------------|
| 1 | Proban Hose Cover 1000 mm | 0700002303 |
| 1 | Proban Hose Cover 850 mm | 0700002304 |
| 2 | Air Hose Standard 850 mm | 0700002305 |
| 2 | Air Hose Long 1000 mm | 0700002306 |
| 3 | Comfort Pad Incl. Waist Belt | 0700002307 |
| 4 | Motor Unit | 0700002308 |
| 5 | P3 filter | 0700002309 |
| 6 | Pre-filter Pk 5 | 0700002310 |
| 7 | Intelligent Charger | 0700002311 |
| 8 | Battery | 0700002312 |
| 8 | Battery HD | 0700002313 |
| 9 | Kit Bag (empty) | 0700002315 |
| 10 | Shoulder Harness | 0700002316 |



Adjustable airflow

Battery life indicator



Waist Belt with Comfort Pad

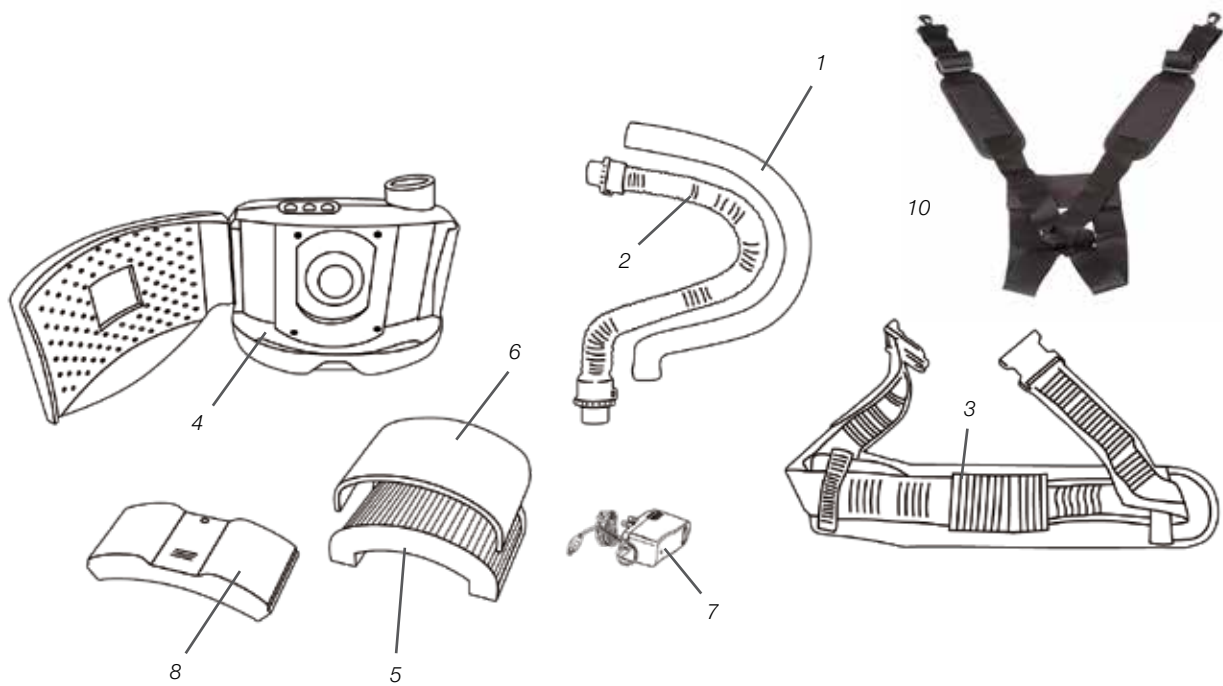


ESAB PAPR in combination with Sentinel A50 Air



Kit Bag (Empty)

ESAB PAPR



Choice of Filters

Prefilter

The air first passes through the fresh air unit prefilter, which filters larger particles, which extends the life of the main filter and reduces the running cost of the fan.

Prefilter with integrated carbon filter also reduces unwanted odours.



| Ordering Information | |
|----------------------|------------|
| Prefilter, pack of 5 | 0700002023 |

Standard on delivery.



| Ordering Information | |
|--|------------|
| Prefilter with carbon filter, pack of 10 | 0700002040 |

Main filter (Particle filter)

ESAB's fresh air fans are always supplied with a main filter of the P3 type, which gives the highest filtration efficiency – 99.8%. The main filter filters out damaging particles in the smoke, both solids and vapour borne. This means that particles containing aluminium, barium, cobalt, chrome, copper, manganese and nickel are caught by the main filter. Particle filter P2 with integrated carbon filter reduces unwanted odours. After passing through the prefilter the remaining dangerous filters are filtered by the main filter. It is recommended that welders who want to minimise unwanted odours use: Prefilter with integrated carbon filter + Particle filter P2 with integrated carbon filter. The main filter consists of a very sensitive filter element that will be damaged if cleaned using compressed air.

ESAB recommends that welders who want to reduce unwanted odours but still want maximum protection from dangerous particles use: Prefilter with integrated carbon filter + Particle filter P3.

| Ordering Information | |
|--|------------|
| Particle filter P3, pack of 1 | 0700002024 |
| Particle filter P2 with carbon filter, pack of 1 | 0700002041 |

Welding Gloves

Glove EN Standards & Materials

CE labelling – Risk Class – Categorising Personal Protective Equipment (PPE)

EU Directive 89/686/EF

The intention of this directive is to ensure that all PPE sold in Europe corresponds to the relevant EN standards. This will secure a generally identical quality standard throughout Europe. Products that meet the requirements in one or more standards must be branded with the CE logo.

Category 1, Simple Design

These products protect against minimal risks and can only be used where any risk increases gradually and can be easily identified by the user in advance. The CE labelling consists of only the CE mark.

Category 2, Intermediate Design

The products are tested and technically approved by an authorised test institute. The institute also examines the manufacturers technical documentation to establish that the product is produced in accordance with the relevant EN standard. The CE labelling consists of the CE mark, the test institute approval number, year of first time approval, pictograms and test performance.



GLOVES



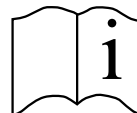
EN 388:2003 – Protection against mechanical damage

| | |
|-------------------------|-------|
| a) Abrasion resistance | 1 - 4 |
| b) Blade Cut resistance | 1 - 5 |
| c) Tear resistance | 1 - 4 |
| d) Puncture resistance | 1 - 4 |



EN 407:2004 – Welding gloves, Thermal resistance

| | |
|------------------------------------|-------|
| a) Burning behaviour | 1 - 4 |
| b) Contact heat | 1 - 4 |
| c) Convective heat | 1 - 4 |
| d) Small splashes of molten metals | 1 - 4 |
| f) Large splashes of molten metals | 1 - 4 |



EN 420 – general requirements for most protective gloves as:

- Product and packaging information and labelling
- Care and maintenance
- Size
- The product itself must present no risk to users (requirements concerning chromium content and pH)
- Storage of the products

Welding Gloves

Glove EN Standards & Materials

| Test Criteria achievable | Standard | Minimum performance required | | Maximum performance |
|--------------------------------|----------|------------------------------|-----|---------------------|
| | | A | B | |
| Abrasion resistance | EN 388 | 2 | 1 | 4 |
| Blade cut resistance | EN 388 | 1 | 1 | 5 |
| Tear resistance | EN 388 | 2 | 1 | 4 |
| Puncture resistance | EN 388 | 2 | 1 | 4 |
| Burning behaviour | EN 407 | 3 | 2 | 4 |
| Contact heat | EN 407 | 1 | 1 | 4 |
| Convective heat | EN 407 | 2 | n/a | 4 |
| Small splashes of molten metal | EN 407 | 3 | 2 | 4 |
| Dexterity | EN 420 | 1 | 4 | 5 |

| Sizing of Gloves | XS | S | M | L | XL | XXL |
|------------------|----|---|---|---|----|-----|
| Size | 6 | 7 | 8 | 9 | 10 | 11 |

Leather quality

Finding the right quality leather to meet the exacting requirements of the welding professional requires experience. ESAB have extensive knowledge and experience with tanning and finishing – important processes that determine the final quality of the leather. It is these processes that give the leather its qualities in relation to strength, softness and flexibility.

The upper skin is called “grain” and the inner skin is called “split” Grain leather is soft, durable, wear resistant and tolerates some water. It can also withstand heat up to 80°C. Split leather is porous and will therefore absorb humidity more easily than grain leather. Its naturally rough surface gives good grip properties. The thickness depends on how the skin is cut and whether it is cut in one or two layers.

Without special treatment, split leather can resist heat up to 100°C.

~~Ox Leather~~

~~A wear resistant grain leather which tolerates water. The leather is often thick, which in addition to its wear resistant properties makes it suitable for use in working gloves that must tolerate rough use. It also gives good protection against heat.~~

~~Pig Leather~~

~~The surface of the leather is relatively porous which makes the breathability of the glove better than most other leathers. Pig leather is also softer.~~

~~Goat Leather~~

~~Goat leather is the longest lasting leather. Natural lanolin content makes goat leather extremely flexible. It also has very good wear resistance. Strength and flexibility make this leather very suitable for work where good finger feel and dexterity is required.~~

All ESAB gloves have a high resistance to heat and offer additional protection against spatter.



Tested against mechanical stress such as abrasion, cut, tear, and puncture.



Tested for thermal performance, such as exposure to an open flame, contact heat, convective heat, radiant heat, and small and large splashes of molten metal.

Curved MIG (GMAW) Gloves



- Ergonomically designed to fit the natural curve of the hand, these MIG gloves are made from heavy and fine-cut leather, and are lined from hand to cuff
- With the curved design, the glove fits the hand perfectly, and also has a flexible wrist area that reduces friction
- With welted seams, Kevlar® stitching, and reinforced thumb, these gloves are ultra strong and offer the highest level of protection

Ordering Information

| | |
|---------------|------------|
| Size Medium | 0700005038 |
| Size Large | 0700005043 |
| Size X-Large | 0700005040 |
| Size XX-Large | 0700005039 |

Heavy-Duty Basic MIG Gloves



- High quality 1.2/1.3 mm side split cow leather welding glove with wing thumb, Kevlar stitching and fully welted
- Fully lined with FR cotton to the cuff and fleece jersey liner to the palm
- This glove offers durability, longevity and comfort

Ordering Information

| | |
|----------|------------|
| One Size | 0700005007 |
|----------|------------|

Heavy-Duty Regular MIG Gloves



- Heavy-duty durable yet flexible welding glove. Made from 1.3 mm side split cow leather which is fully heat resistant and hard wearing
- Features reinforced thumb, fully Kevlar stitched and welted with additional vein patch for added protection
- Fully lined with FR cotton to the cuff and fleece jersey liner to the palm

Ordering Information

| | |
|----------|------------|
| One Size | 0700005008 |
|----------|------------|

Heavy-Duty Black MIG Gloves



- A high quality welding glove made of black, strong cow split leather
- High dexterity with Kevlar stitching ensures that the glove can resist hard mechanical stress
- The gloves are also fully welted

Ordering Information

One Size

0467222007

Heavy-Duty EXL MIG Gloves



- A high quality welding glove made of both cow split and grain leather. The grain leather back offers excellent heat properties while the split leather offers excellent dexterity, durability and comfort
- Features reinforced thumb, fully Kevlar stitched and welted with additional vein patch for added protection
- Fully lined with FR cotton to the cuff and fleece jersey liner to the palm

Ordering Information

Size Large

0700005009

Size X-Large

0700005029



Curved TIG (GTAW) Gloves



- These TIG gloves are ergonomically designed to fit the natural curve of the hand, giving you quality and comfort like none other
- Made from thin, high-quality leather with improved fit for higher dexterity, the gloves are highly durable, with welted seams and Kevlar stitching
- Extremely lightweight for additional comfort

Ordering Information

| | |
|---------------|------------|
| Size Medium | 0700005036 |
| Size Large | 0700005041 |
| Size X-Large | 0700005042 |
| Size XX-Large | 0700005037 |

GLOVES

Professional TIG Gloves



- A high-quality TIG glove with a reinforced thumb and 13 cm long leather cuff
- Fully Kevlar stitched and welted with additional vein patch for added protection
- Lined with fleece jersey liner to the palm

Ordering Information

| | |
|----------|------------|
| One Size | 0701415963 |
|----------|------------|



Supersoft TIG Gloves



- Exclusive TIG glove made from a high quality sheepskin and a 13 cm long cow split leather cuff
- Fully Kevlar stitched and welted with wraparound index finger for increased dexterity
- Extremely comfortable, dexterous and durable

Ordering Information

One Size

0700005006

Soft TIG Gloves



- A thin TIG glove made from pig split leather and a 13 cm long leather cuff
- Fully Kevlar stitched and welted with wraparound index finger for increased dexterity and additional vein patch for added protection

Ordering Information

One Size

0700005005

Basic TIG Gloves



- Lightweight and durable traditional TIG glove
- Soft leather palm and back for superior dexterity and with a 13 cm long cuff

Ordering Information

One Size

0700653532

Heavy-Duty Aluminium Gloves



- Woven Kevlar aluminised back capable of withstanding a radiant heat of up to 1000 °C with a heavy duty 1.3 mm ceramic fibre supported leather palm capable of contact palm heat up to 250 °C
- The glove features wing thumb, fully welted seams and Kevlar stitched
- Heavy duty FR drill cotton liner which features a Thermolate treatment to the palm. The Aluminium reflects all thermal radiation away from the user

Ordering Information

One Size 250 °C

0700005010

GLOVES

Aluminised Hand Shield



- Woven Kevlar aluminised welders hand shield for use in conjunction with welding gloves
- Provides added protection from radiant heat and general heat stress
- Aluminised Kevlar is bonded and stitched onto a 1.2 mm cow split leather which is elasticated to fit all hand sizes

Ordering Information

One Size

0700010009

Heavy Duty Worker Glove



- A durable, hardwearing rigger style work glove made from high quality cow split leather
- Wing thumb, fully Kevlar stitched and welted, 6 cm rubberised cotton cuff with finger tip protection and knuckle strap and with additional vein patch for added protection
- Fully lined with fleece jersey for added comfort

Ordering Information

One Size

0700005011

ESAB's Leather protective range is helping to redefine welder protection, with garments that provide optimal fit, comfort, performance, style & durability, resulting in safer, more productive working environments.



Protective clothing for welding (causing high levels of spatter and radiant heat).



Protective clothing against heat and flame.

Proban Welding Jacket

- Sleeves and shoulders are made of durable grade-A leather to withstand the exposure to welding spatter
- The front and back are made from flame-retardant Proban material
- Kevlar stitching, stand-up collar, adjustable sleeves and concealed inner pockets



| Ordering Information | |
|----------------------|------------|
| Size Medium | 0700010301 |
| Size Large | 0700010302 |
| Size X-Large | 0700010303 |
| Size XX-Large | 0700010304 |
| Size 3X-Large | 0700010386 |
| Size 4X-Large | 0700010387 |

Proban Welding Trousers

- Top and bottom are made from flame-retardant Proban material
- Reinforced front with leather to withstand the exposure to welding spatter
- Kevlar stitching



| Ordering Information | |
|----------------------|------------|
| Size Medium | 0700010333 |
| Size Large | 0700010334 |
| Size X-Large | 0700010335 |
| Size XX-Large | 0700010336 |

Chest and Head/Neck Protector for Welding Helmet



- Chest protector and Head/Neck protector are recommended as supplementary protection for ESAB's welding helmets
- Made of leather to give the best durability against welding spatter

| Ordering Information | |
|---|------------|
| Leather Chest Protector for Welding Helmet | 0700000062 |
| Leather Head/Chest Protector for Welding Helmet | 0700000063 |

Leather Welding Jacket



- Made of durable grade-A leather to give the best protection against heat and welding spatter and with a reinforced front
- Back made of flame retardant Proban material to reduce weight
- Kevlar stitching, stand-up collar, adjustable sleeves and concealed inner pockets

Ordering Information

| | |
|---------------|------------|
| Size Medium | 0700010266 |
| Size Large | 0700010002 |
| Size X-Large | 0700010003 |
| Size XX-Large | 0700010267 |

Welding Apron



- Made of durable grade-A leather to give the best protection against heat and welding spatter
- This protective apron distributes weight effectively
- Kevlar stitching and 107 cm long

Ordering Information

| | |
|----------|------------|
| One Size | 0700010007 |
|----------|------------|

Leather Gaiters



- Leather gaiters to protect the footwear during welding
- Made of durable grade-A leather to give the best protection against heat and welding spatter
- Fastened using velcro

Ordering Information

| | |
|---------------|------------|
| One Size (x2) | 0700010008 |
|---------------|------------|

Welding Sleeve



- Chromee leather sleeves made of durable grade-A leather to give the best protection against heat and welding spatter
- Elasticated cuffs and a total length of 47 cm
- Fastened using velcro

Ordering Information

| | |
|---------------|------------|
| One Size (x2) | 0000595039 |
|---------------|------------|

ESAB's FR line of flame retardant clothing is designed to give maximum protection to the professional welder while providing comfort in the most demanding environments. Garments are made with Phoenix FR material, which gives the clothing 100% FR protection for the lifetime of the garment. There are no worries of washing out or wearing down the flame retardant fibers as these properties are an inherent part of the garment.

| | |
|--|---|
|  Protective clothing for welding (causing high levels of spatter and radiant heat). |  Protective clothing against heat and flame. |
|  Protective clothing with electrostatic properties. |  Protective clothing general lining. |

FR Welding Jacket

- Rugged and insulated for working in a cold environment
- Adjustable sleeves, two top pockets and concealed zip front



FR Welding Trousers

- Rugged and insulated for working in a cold environment
- Elasticated waist with belt loops, two side access pockets and two back pockets



| Ordering Information | |
|----------------------|------------|
| Size Small | 0700010358 |
| Size Medium | 0700010359 |
| Size Large | 0700010360 |
| Size X-Large | 0700010361 |
| Size XX-Large | 0700010362 |

| Ordering Information | |
|----------------------|------------|
| Size Small | 0700010363 |
| Size Medium | 0700010364 |
| Size Large | 0700010365 |
| Size X-Large | 0700010366 |
| Size XX-Large | 0700010367 |

FR Coverall



- Rugged and insulated for working in a cold environment
- Elasticated waist for better comfort and fit, adjustable sleeves and legs, and a concealed zip front
- Stand-up collar to protect the neck and fittable knee pads

| Ordering Information | |
|----------------------|------------|
| Size Small | 0700010328 |
| Size Medium | 0700010329 |
| Size Large | 0700010330 |
| Size X-Large | 0700010331 |
| Size XX-Large | 0700010332 |

PROTECTIVE CLOTHING

FR Jersey

- Lightweight and ribbed ESAB collar
- Worn as a undershirt for warmer environments



| Ordering Information | |
|----------------------|------------|
| Size Small | 0700010373 |
| Size Medium | 0700010374 |
| Size Large | 0700010375 |
| Size X-Large | 0700010376 |
| Size XX-Large | 0700010377 |

FR Fleece

- Full zip front and two side pockets
- For working in a cold environment



| Ordering Information | |
|----------------------|------------|
| Size Small | 0700010368 |
| Size Medium | 0700010369 |
| Size Large | 0700010370 |
| Size X-Large | 0700010371 |
| Size XX-Large | 0700010372 |

FR Jumper



- Rib cuffs, neckline and hem for added comfort
- Worn as a undershirt for warmer environments

| Ordering Information | |
|----------------------|------------|
| Size Small | 0700010378 |
| Size Medium | 0700010379 |
| Size Large | 0700010380 |
| Size X-Large | 0700010381 |
| Size XX-Large | 0700010382 |

Proban Hood

- Worn underneath the welding helmet. Flame-resistant head protection that covers the head, neck, and shoulders



Ordering Information

| | |
|----------|------------|
| One Size | 0000593269 |
|----------|------------|

Balaclava

- Worn underneath the welding helmet. Flame-resistant head protection that covers the head, neck, and shoulders when working in a cold environment



Ordering Information

| | |
|----------|------------|
| One Size | 0700010269 |
|----------|------------|

Helmet Liner

- Worn underneath the welding helmet. Flame-resistant head protection that covers the head when working in a cold environment



Ordering Information

| | |
|----------|------------|
| One Size | 0000904378 |
|----------|------------|

Welders Cap

- Worn underneath the welding helmet to protect your head and hair from friction and irritation from the headgear.



Ordering Information

| | |
|----------|------------|
| One Size | 0700010351 |
|----------|------------|

Sentinel Bandana

- Worn underneath the welding helmet to protect your head and hair from friction and irritation from the headgear.



Ordering Information

| | |
|----------|------------|
| One Size | 0700000821 |
|----------|------------|



PROTECTIVE CLOTHING

Warrior™ Spectacles



- Warrior™ safety spectacles are used for drilling, chipping, and metalworking
- Sporty lightweight style, soft to the touch, anti-slip nose bridge and a lightweight wrap-around neck cord
- Extremely flexible and durable and are available in four different lens configurations that protect against UV radiation
- CE approved according to EN 166-F
- Delivered 12 pairs per box individually packaged

Ordering Information

| | |
|---------|------------|
| Clear | 0700012030 |
| Smoked | 0700012031 |
| Amber | 0700012032 |
| Shade 5 | 0700012033 |



Clear



Smoked



Amber



Shade 5

Eco Spectacles



- Eco safety spectacles are used for drilling, chipping, and metalworking
- Sporty lightweight style available in three different lens configurations that protect against UV radiation
- CE approved according to EN 166-F
- Delivered 10 pairs per box individually packaged

Ordering Information

| | |
|--------|------------|
| Clear | 0700012017 |
| Smoked | 0700012018 |
| Amber | 0700012019 |



Clear



Smoked



Amber

Visitor Spectacles

- Protects the eye from flying particles
- Made of impact-resistant polycarbonate



| Ordering Information | |
|----------------------|------------|
| One Size | 0700012021 |

Ski Goggles Clear

- Provides great impact protection and protects the eye from flying particles
- Superior user comfort with expanded visual field and cross vent technology to keep the air flowing and moisture out



| Ordering Information | |
|----------------------|------------|
| One Size | 0700012027 |

Ski Goggles Shade 5

- Provides great impact protection and protects the eye from flying particles
- Superior user comfort with expanded visual field and cross vent technology to keep the air flowing and moisture out



| Ordering Information | |
|----------------------|------------|
| One Size | 0700012026 |

Chemical Goggles

- Protects the eye from flying particles, liquid splashes and splatter



| Ordering Information | |
|----------------------|------------|
| One Size | 0700012025 |

Grinding Visor

- Protects the face when grinding.
- Strong brown guard and with an adjustable harness



| Ordering Information | |
|------------------------|------------|
| One Size | 0700012020 |
| Replacement Visor (x5) | 0700012023 |

Flip-Front Goggles

- Shade 5 protects the eye when welding, brazing and cutting
- Well ventilated and with a flip-front



| Ordering Information | |
|----------------------|------------|
| One Size | 0700012022 |

EYE PROTECTION

UNRIVALED SERVICE AND SUPPORT.

All ESAB products are backed by our commitment to superior customer service and support. Our skilled customer service department is prepared to quickly answer any questions, address problems, and help with the maintenance and upgrading of your machines. And our products are backed with the most comprehensive warranty in the business.

With ESAB, you can be sure you purchased a product that will meet your needs today and in the future. Product and process training is also available. Ask your ESAB sales representative or distributor for a complete ESAB solution.

For more information please visit esab.com



ESAB / esab.com

